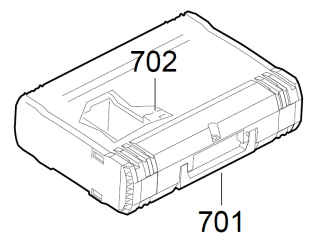
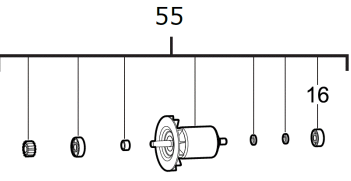
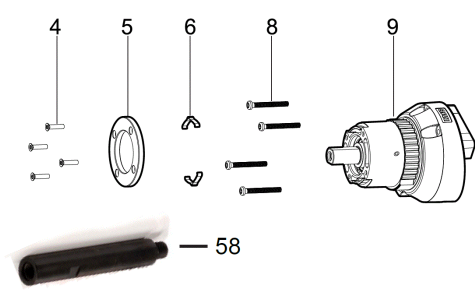
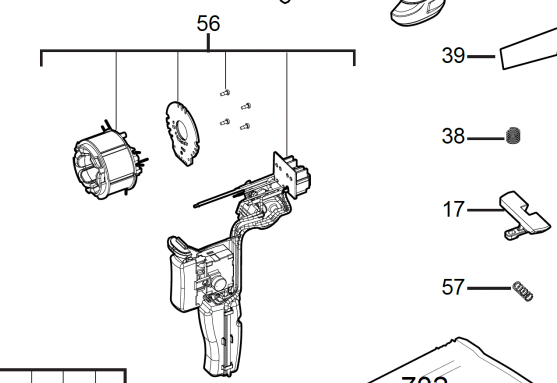
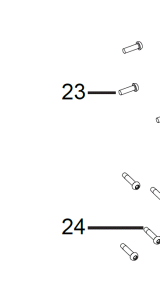
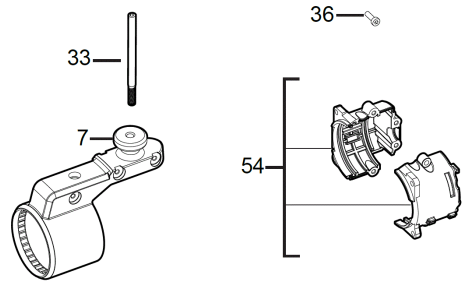
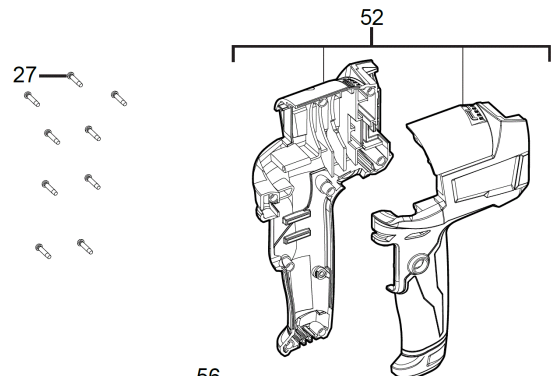
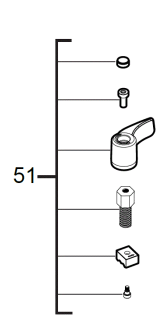
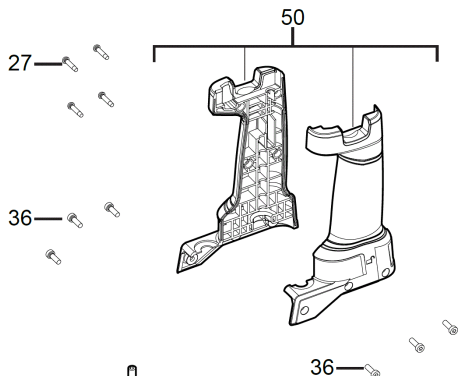


M18FPM-0X FUEL PADDLE MIXER XXX

4933459719 - M18FPM-0X - 4000458932





Position	Quantity	Description	Part number	EAN
0004 1	4	SCREW	4931465163	4058546232634
0005 2	1	VARIABLE RING	4931465164	4058546232641
0006 3	2	LOCKING PART	4931465165	4058546232658
0007 4	1	SET SLEEVE	4931465166	4058546232665
0008 5	4	SCREW	4931461254	4058546034269
0009 6	1	GEAR UNIT	4931465167	4058546232672
0016 7	1	BALL BEARING	4931436014	4002395875399
0017 8	1	LEVER	4931465168	4058546232689
0023 9	4	SCREW	660414013	4002395823796
0024 10	4	SCREW	4931461357	4058546035297
0027 11	13	SCREW	4931454853	4058546020279
0033 12	1	ROD	4931465169	4058546232696
0036 13	6	SCREW	4931446540	4002395876259
0038 14	1	PRESSURE SPRING	4931408243	4002395814466
0039 15	1	RATING PLATE	4931465170	4058546232702
0050 16	1	AUXILIARY HANDLE	4931465171	4058546232719
0051 17	1	LOCKING PIECE	4931465172	4058546232726
0052 18	1	HOUSING	4931465173	4058546232733
0054 19	1	MOTOR HOUSING	4931465174	4058546232740
0055 20	1	ARMATURE	4931465175	4058546232757
0056 21	1	PRINT.CURIUT SWITCH	4931465176	4058546232764
0057 22	1	PRESSURE SPRING	4931465177	4058546232771
0058 23	1	EXTENSION	4931468369	4058546291068
0702 24	1	INSERT	4931465178	4058546232788